

Prestige PW

Pet Immune Mirrored PIR INSTALLATION INSTRUCTIONS



THANK YOU FOR VOTING TEXECOM
Ask your distributor today for the Texecom full colour Product Guide.

Texecom
www.texe.com

INS 277

QUALITY ASSURANCE



Certificate Number: FM 35285

WARRANTY

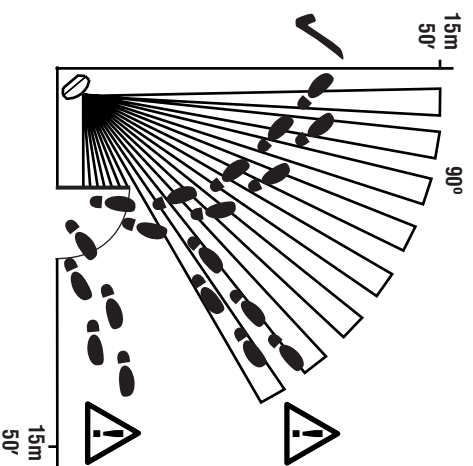
10 year replacement warranty.

The *Prestige PW* is designed to detect the movement of an intruder and activate an alarm control panel. As the *Prestige PW* is not a complete alarm system, but only a part thereof, Texecom cannot accept responsibility or liability for any damages whatsoever based on a claim that the *Prestige PW* failed to function correctly.

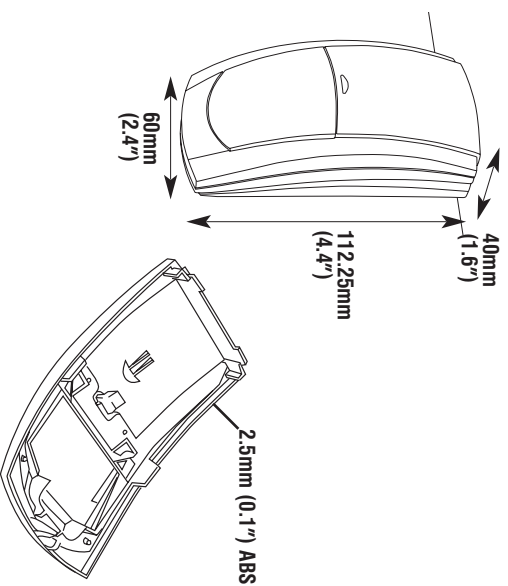
Due to our policy of continuous improvement, Texecom reserves the right to change specification without prior notice. All specifications are measured at 20°C (68°F).

© 2004, Texecom Ltd. Document Ref: PW/EU/1.0
The *Prestige PW* is protected by UK & International Registered Design. Registered Design No: 300497

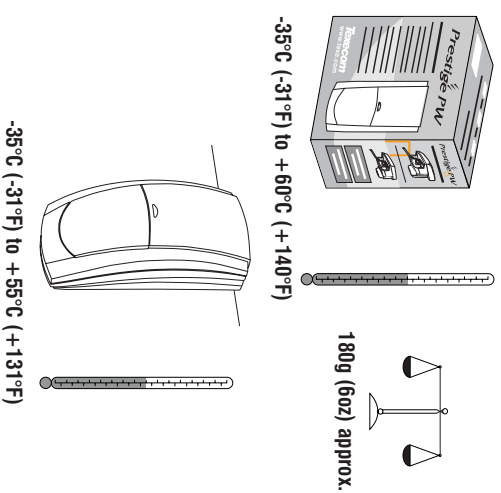
5 COVERAGE AND PICK-UP



1 PHYSICAL



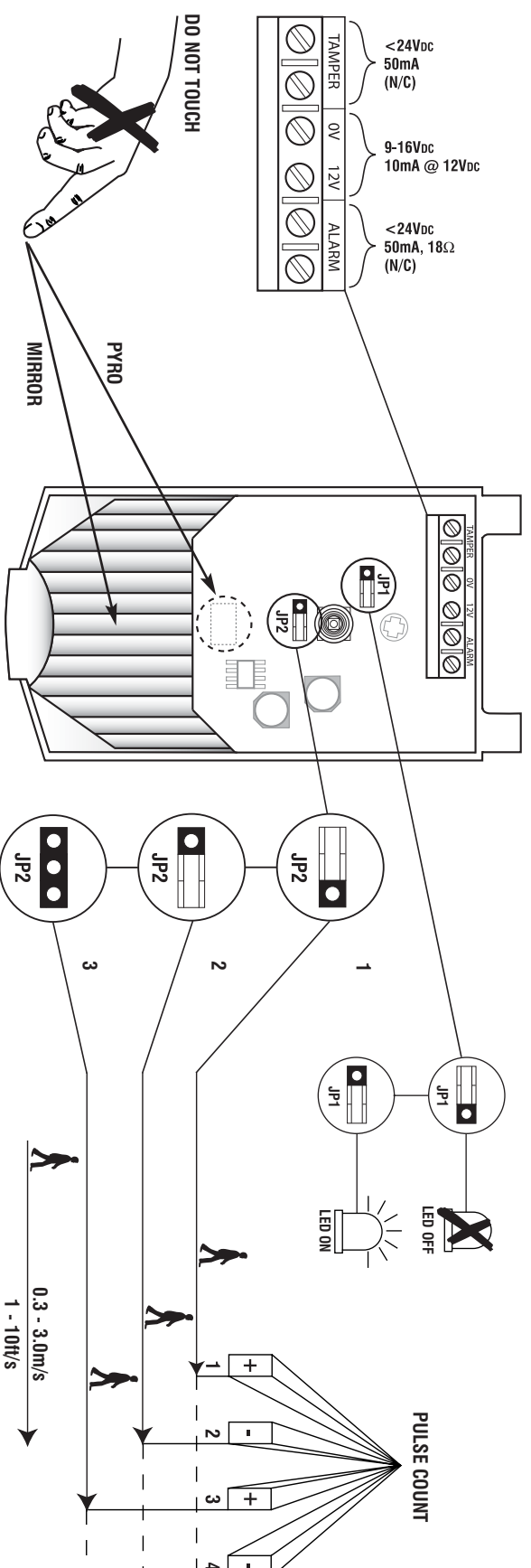
2 ENVIRONMENTAL



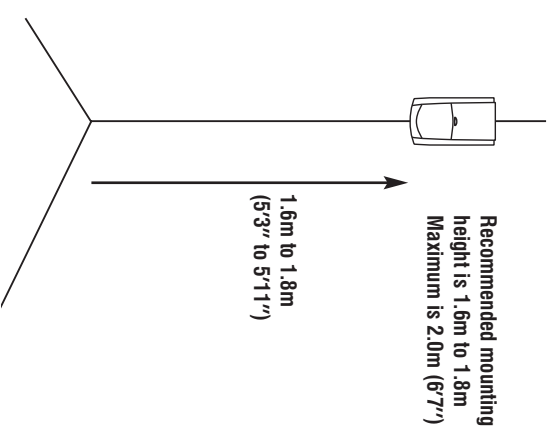
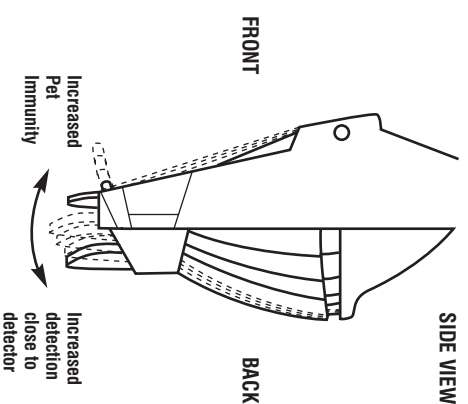
3 FALSE ALARM PROTECTION

- Design:
RF Immunity: No false alarms from 80MHz to 1GHz at 10V/m. Complies with BS EN 61000-4-3 : 1997.
Electrostatic Discharge: No false alarms up to 8kV. Complies with BS EN 61000-4-2 : 1995.
Fast Transient Immunity: No false alarms up to ±1kV. Complies with BS EN 61000-4-4 : 1995.
High Energy Transient Immunity: No false alarms up to ±2kV. Complies with BS EN 61000-4-5 : 1995.
Conducted RF Susceptibility: No false alarms at 10V/m. Complies with BS EN 61000-4-6 : 1996.
Conducted Emissions: Complies with EN 55022 Class B.
Radiated Emissions: Complies with EN 55022 Class B.
EMC: Independently certified to EN 50130-4 : 1996. Internal link to select.
Pulse Count:

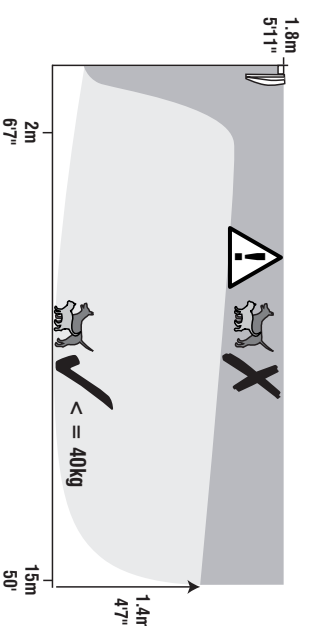
4



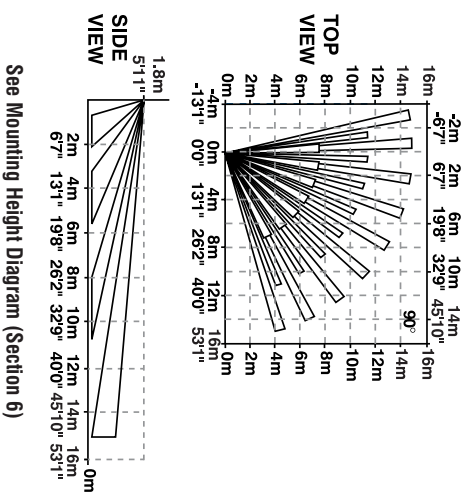
6 MOUNTING HEIGHT AND SETTINGS



7 DO NOT ALLOW ANIMALS WITHIN HIGH SENSITIVITY AREA

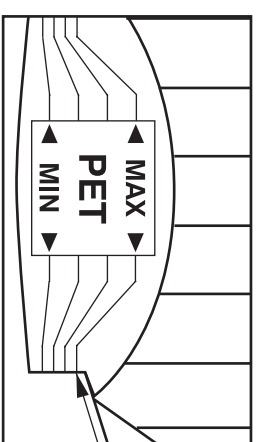


8 COVERAGE PATTERN VOLUMETRIC



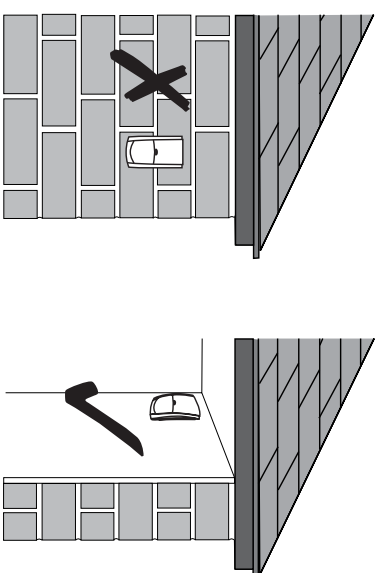
9 PET IMMUNITY ADJUSTMENT

For maximum pet immunity install at 1.8m & pull mirror fully forwards



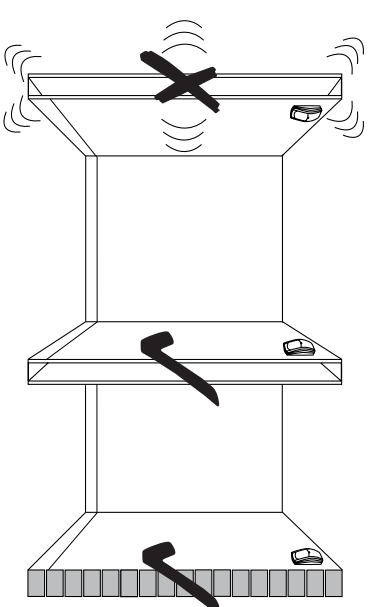
10 MOUNTING THE PRESTIGE PW

For indoor use only



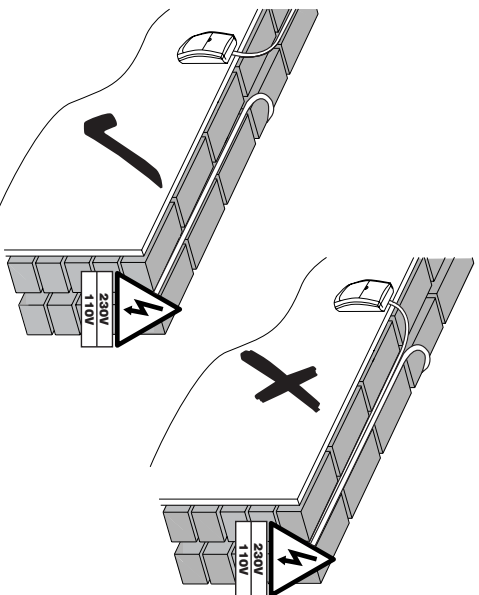
11 MOUNTING THE PRESTIGE PW

Mount on a stable surface



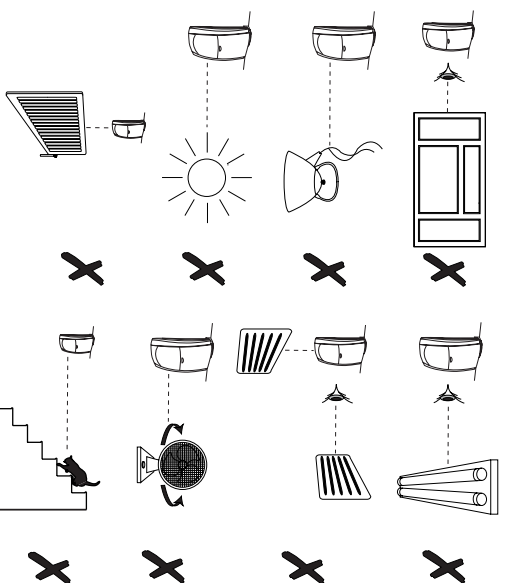
12 WIRING

Do not run cable parallel to mains wiring



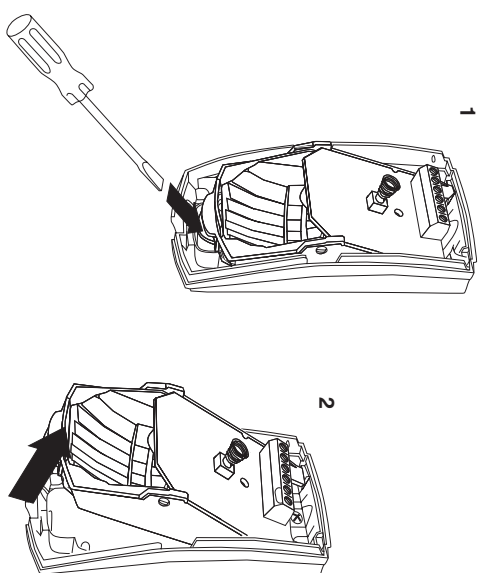
13 CHOOSING A LOCATION

Avoid common false alarm sources

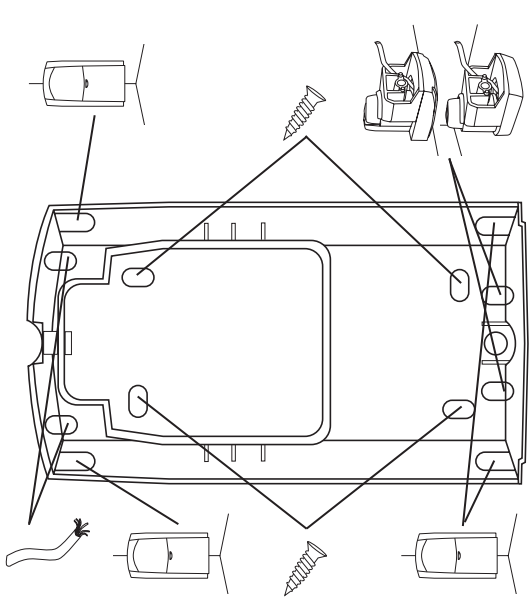


14 HOW TO REMOVE THE CHASSIS

Remove chassis before mounting the detector



15 DETECTOR KNOCKOUTS



16 WALL MOUNT BRACKET

