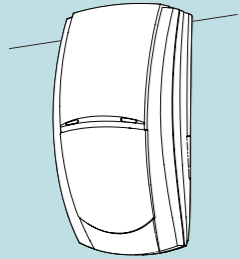


Prestige AMDT Plus

Grade 3 Anti-Masking Dual Technology

INSTALLATION INSTRUCTIONS



Texecom
www.texe.com

INS 317

Ask your distributor today for the Texecom full colour Product Guide.

QUALITY ASSURANCE



Certificate Number: FM 35285



MADE IN ENGLAND



WARRANTY

10 year replacement warranty.

The Prestige AMDT Plus is designed to detect the movement of an intruder and activate an alarm control panel. As the Prestige AMDT Plus is not a complete alarm system, but only a part thereof, Texecom cannot accept responsibility or liability for any damages whatsoever based on a claim that the Prestige AMDT Plus failed to function correctly.

Due to our policy of continuous improvement Texecom reserves the right to change specification without prior notice. All specifications are measured at 20°C (68°F).

© 2006 Texecom Ltd. Document Ref: PAMDT+/EU/1.0
The Prestige AMDT Plus is protected by UK & International Registered Designs.
Registered Design No's: 3004997, 3004260 & 3004261. Prestige is a Trademark of Texecom Ltd.

DECLARATION OF CONFORMITY

This declaration is valid for the following product:

Device Type: Dual Technology Detector - DTD007-x
Product Name: Prestige DT/AMDT Plus
Equipment Classification: Short Range Device, Class 2
Notified Body Number: 0891

This is to confirm that this product meets all essential protection requirements relating to:
R&TTE Directive: 1999/05/EC

The assessment of this product has been based on the following standards:

EN 55022 : 1998 Emission Standard for Information Technology Equipment.
EN 50130-4 : 1996 Immunity Standard for Fire Intruder & Social Alarm Systems.
BS EN 60950-1 : 2002 Low Voltage Devices - Electrical Safety
ETSI EN 300 440-1 : 2001 Radio standard for short range devices (1GHz - 40GHz)
ETSI EN 301 489-3 : 2002 EMC standard for short range devices (9kHz - 40GHz)

On behalf of the manufacturer:

Texecom Ltd., 559 Wilbraham Road, Manchester, M21 0AE
This declaration is submitted by:

R J Austen
R J Austen, Managing Director
9th May 2006

1 INTRODUCTION

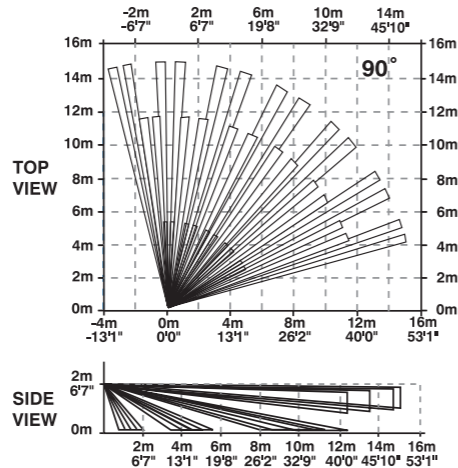
The Prestige AMDT Plus is a grade 3 anti-masking digital dual technology detector. The combination of active IR and microwave proximity obstruction detection provides unparalleled anti-masking reliability. Rear tamper protection, fault monitoring and Triple End-Of-Line (T-EOL) signalling provide compliance with EN 50131-2-4.

Outstanding features include:

- 15m Volumetric PIR and Microwave Detection
- Active IR Anti-Masking
- Triple-End-Of-Line (T-EOL) Signalling
- Digital Microprocessor Technology
- Wall Tamper Detection
- Remote Self-Test Feature

4 COVERAGE PATTERN

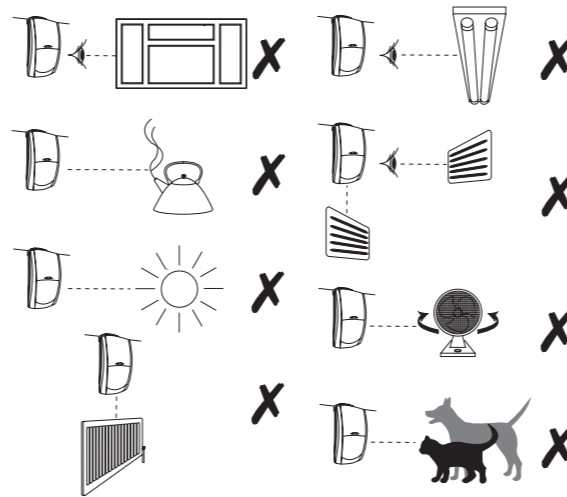
Volumetric



See Mounting Height Diagram (Section 8)

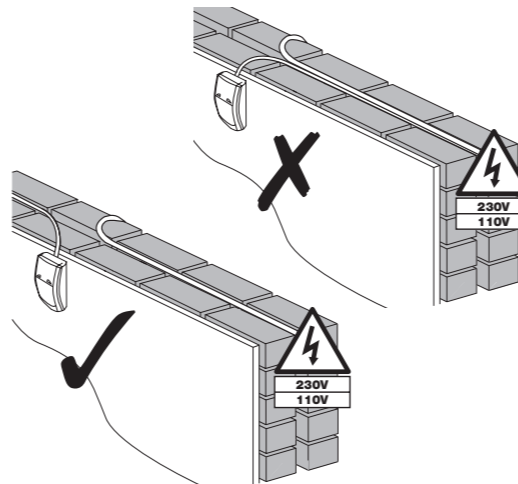
2 CHOOSING A LOCATION

Avoid common false alarm sources



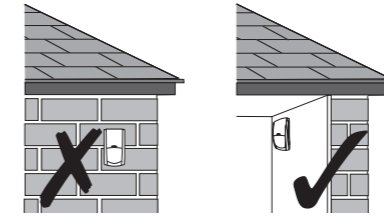
5 WIRING

Do not run cable parallel to mains wiring

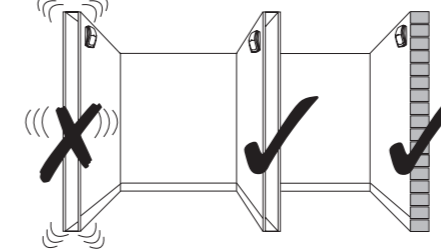


3 MOUNTING

For indoor use only

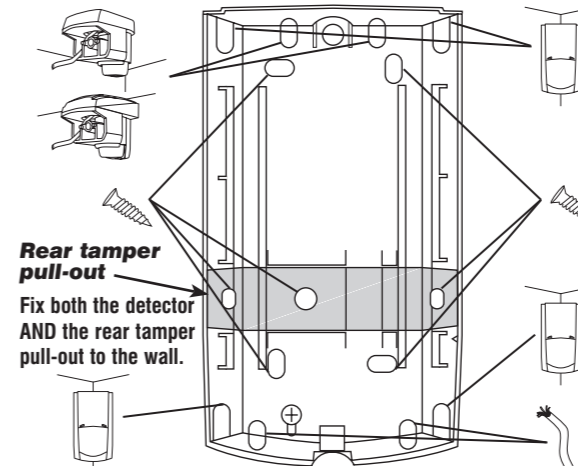


Mount on a stable surface



6 DETECTOR KNOCKOUTS

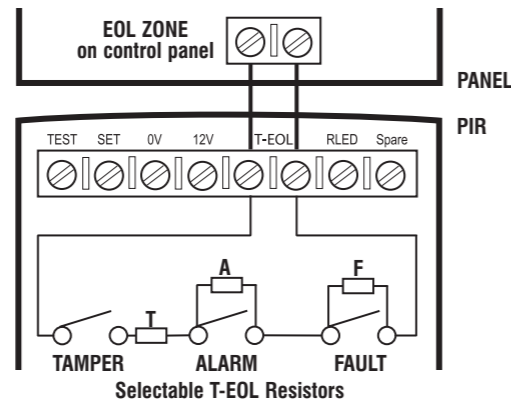
Rear tamper pull-out needs to be secured to the mounting surface to meet Grade 3 requirements of TS50131-2-4



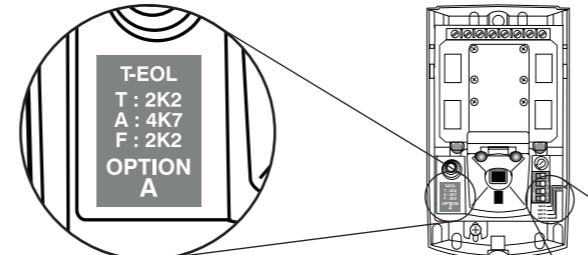
Rear tamper pull-out
Fix both the detector AND the rear tamper pull-out to the wall.

7 TRIPLE END-OF-LINE (T-EOL)

The Prestige AMDT Plus is designed to be connected to a single zone on control panels which feature Triple End-Of-Line (T-EOL) compatibility. Alarm, Tamper, Fault and Masking are signalled on one pair of wires. To aid installation the resistor values can be selected via the T-EOL plug-on board. All the connections are normally closed. Masking is signalled by the alarm and fault relays opening simultaneously.



Use the Option A T-EOL board with Texecom's Premier range of control panels.

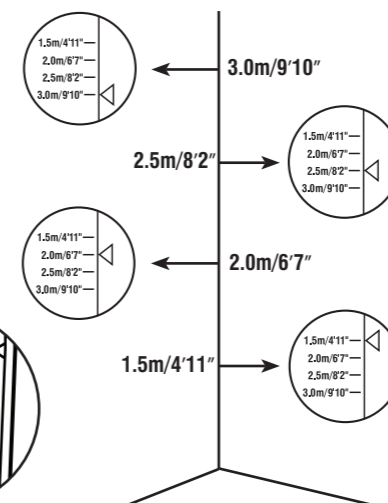


An additional T-EOL board (Option B) with the following values is also included:
T: 1K0, A: 1K0, F: 10K.

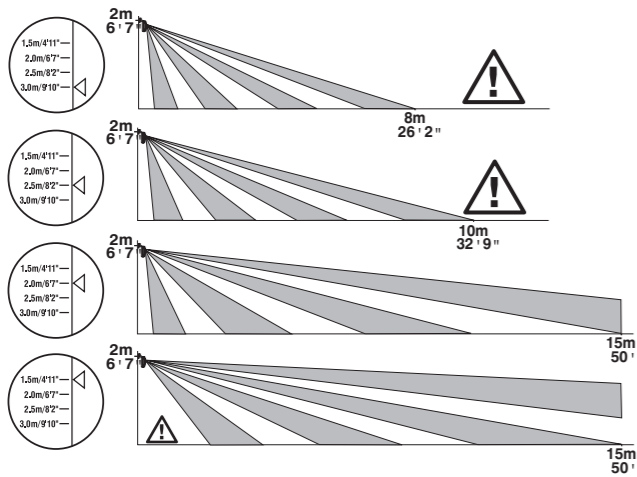
A range of other T-EOL values are available separately.

For use with the following Premier software versions (or above)	
Premier 24: V7	Premier 412/816: V10
Premier 48: V7	Premier 832: V3
Premier 88/168: V7	Keypads: V7
Premier 640: V7	Expanders: V7

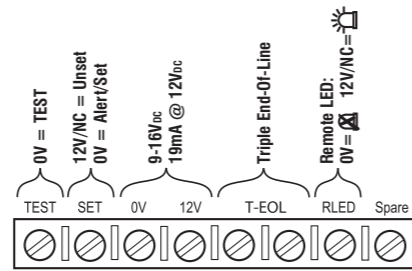
8 MOUNTING HEIGHT & SETTINGS



9 ALTERING COVERAGE AT 2m MOUNTING HEIGHT

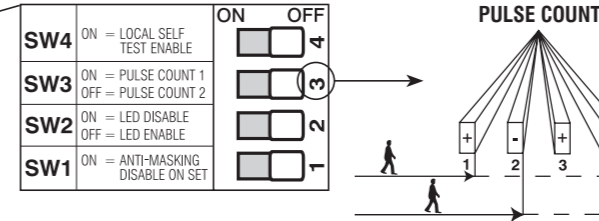
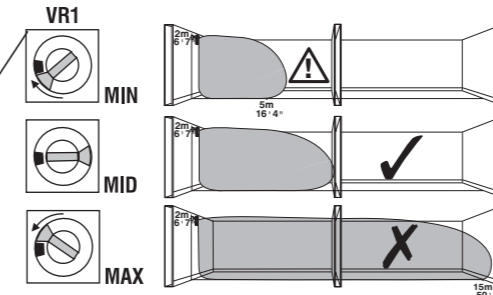
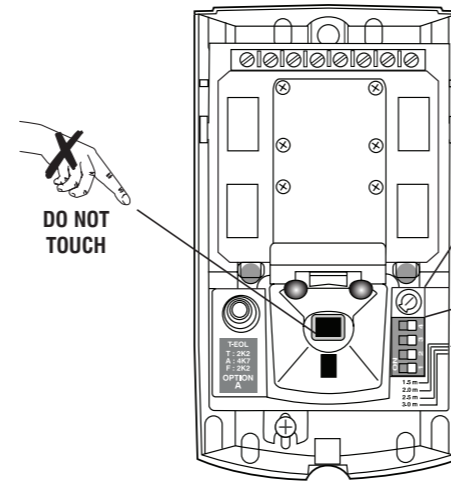


10 WIRING & DETECTOR SET-UP



INPUT FUNCTIONS:	
RLED: 12V/No connection:	LED's will function in accordance with the setting of SW2
0V:	LED's will not function even if they are enabled via SW2
SET: 12V/No connection:	Detector is in the Standby/unset mode
0V:	Detector is in the Alert/set mode
TEST: 12V/No connection:	Normal operation
0V:	Initiate remote self-test

11 DETECTOR SET-UP



12 GRADE 3 ANTI-MASKING

- The *Prestige AMDT Plus* is designed to meet both EN 50131-1 and TS 50131-2-4 and as such is a future-proof solution.
- On either power-up or reapplication of the front cover the detector will temporarily enter an auto-optimisation mode to adapt to its environment. This will be shown by the LED's flashing in sequence.
- During optimisation ensure that there are no obstructions in close proximity (<1m) to the detector that will not be present during normal operation, as this could trigger a false masking signal.
- During installation avoid mounting the detector where objects may interfere with the anti-masking function (<1m), above doors, near curtains etc.
- The detector should not be mounted in direct sunlight.
- Masking is signalled by the fault and alarm relay opening simultaneously.

13 FAULT MONITORING

- A fault will be indicated by one of the following:
- Supply input voltage out of specification
 - PIR sensor malfunction
 - Microwave sensor malfunction

The fault will be cleared once the condition has been resolved.

Self-Test

To meet the requirements of TS 50131-2-4 this detector is capable of performing a self-test. There are two types of self-test; a local self-test and a remote self-test.

Local Self-Test

Local self-test is controlled by the detector and runs periodically to test the functionality of the circuitry. Setting SW4 to off can disable this function. If the test is passed no indication is shown but if it fails then a fault will be signalled to the panel and the orange LED lit (if enabled). The fault will remain until a local or remote test is passed.

Remote Self-Test

This test is initiated at the control panel. If the test is passed then the detector will signal an alarm. If the test fails then the detector will signal a fault. The fault will remain until a local or remote test is passed. There is a dedicated control type for this output on Texcom Premier panels, expanders and keypads for ease of installation. For more information on setting up an output to run this test please see the relevant manual.

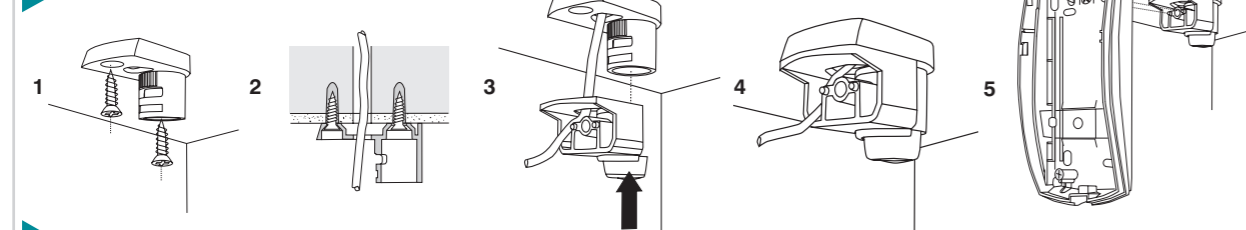
14 LED FUNCTIONS

Detector Status	LED	Indication
Alarm:	Both LED's	Red
PIR Detection:	Right LED	Green
Microwave Detection:	Left LED	Orange
Masking:	Left LED	Flashing Green
Fault:	Right LED	Flashing Orange
Masking & Microwave Detection:	Left LED	Alternating Green and Orange
Fault And PIR Detection:	Right LED	Alternating Green and Orange

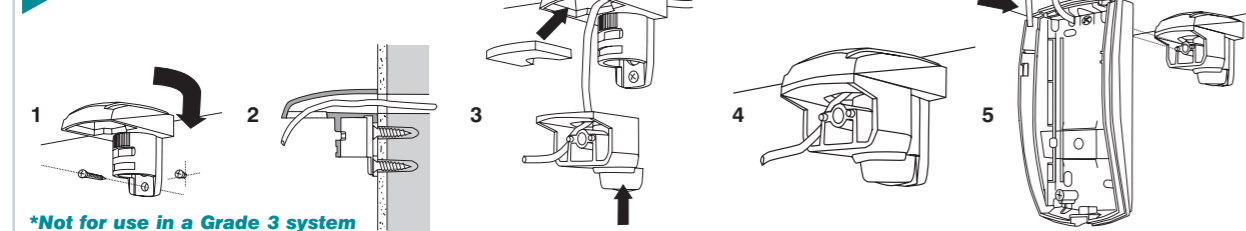
15 STANDARDS & APPROVALS

Detector Standard:	TS 50131-2-4 Grade 3 Environmental Class II.
System Standard:	Suitable for use in a PD 6662/BS EN 50131-1 Grade 3 system, Environmental Class II.
EMC:	Independently certified to BS EN 50130-4 : 1996.
RF Immunity:	No false alarms from 80MHz to 1GHz at 10V/m. Complies with BS EN 61000-4-3 : 2002.
Electrostatic Discharge:	No false alarms up to 8kV. Complies with BS EN 61000-4-2 : 1995.
Fast Transient Immunity:	No false alarms up to ±4kV. Complies with BS EN 61000-4-4 : 1995.
High Energy Transient Immunity:	No false alarms up to ±2kV. Complies with BS EN 61000-4-5 : 1995.
Conducted RF Susceptibility:	No false alarms at 10Vrms. Complies with BS EN 61000-4-5 : 1995.
Conducted & Radiated Emissions:	Complies with EN 55022 Class B.
Product Identifier:	AMDT Plus

16 CEILING MOUNT BRACKET *

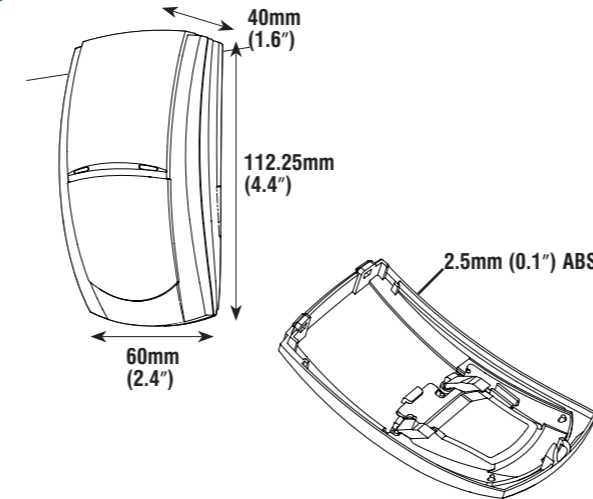


17 WALL MOUNT BRACKET *



*Not for use in a Grade 3 system

18 PHYSICAL



19 ENVIRONMENTAL

