



**Speed Dome
Technical Manual**

Notices

The information in this documentation is subject to change without notice and does not represent any commitment on behalf of HIKVISION. HIKVISION disclaims any liability whatsoever for incorrect data that may appear in this documentation. The product(s) described in this documentation are furnished subject to a license and may only be used in accordance with the terms and conditions of such license.

Copyright © 2006-2012 by HIKVISION. All rights reserved.

This documentation is issued in strict confidence and is to be used only for the purposes for which it is supplied. It may not be reproduced in whole or in part, in any form, or by any means or be used for any other purpose without prior written consent of HIKVISION and then only on the condition that this notice is included in any such reproduction. No information as to the contents or subject matter of this documentation, or any part thereof, or arising directly or indirectly therefrom, shall be given orally or in writing or shall be communicated in any manner whatsoever to any third party being an individual, firm, or company or any employee thereof without the prior written consent of HIKVISION. Use of this product is subject to acceptance of the HIKVISION agreement required to use this product. HIKVISION reserves the right to make changes to its products as circumstances may warrant, without notice.

This documentation is provided “as-is,” without warranty of any kind.

Please send any comments regarding the documentation to:
overseabusiness@hikvision.com

Find out more about HIKVISION at www.hikvision.com

DS-2AF1-764



Key features

IR function:

- 0 Lux minimum illumination
- Up to 80m IR distance
- IR light MTBF reaching up to 30,000 hours

System function:

- SONY high performance CCD
- $\pm 0.1^\circ$ Preset Accuracy
- Self-adaptive to HIKVISION, Pelco-P/D protocol
- 3D intelligent positioning function
- Power-off memory function: restore PTZ & Lens status after reboot
- 3D DNR
- Built-in temperature sensor, with display of internal temperature
- IP66 standard
- RS-485 communication diagnosis capability
- Manchester code communication diagnosis capability
- Scheduled PTZ movement
- Password protection
- Camera title programmable
- Zone Scanning

Camera function:

- Auto iris, auto focus, auto white balance, backlight compensation, WDR and auto/manual day & night switch
- Privacy masks programmable

PTZ function:

- 360° endless pan range and -10° - 90° tilt range
- 240°/s Pan Preset Speed and 200°/s Tilt Preset Speed
- 0.1° -160°/s Manual Pan Speed and 0.1° -120°/s Manual Tilt Speed
- 256 presets programmable; preset image freezing capability

- 8 patrols, up to 32 presets per patrol
- 4 patterns, with the total recording time not less than 10 minutes
- Proportional zoom function
- Park action: auto call up of PTZ movement, after a defined time of inactivity
- 2 alarm inputs and 2 alarm outputs (7 alarm inputs and 2 alarm outputs optional)

Application Scenarios

It can be widely applied to places with no lights or weak lights requiring wide-area and high-speed monitoring, such as rivers, forests, highways, railways, airports, ports, sentries, squares, parks, scenic sites, streets, stations, large venues, outside of residential areas, etc.

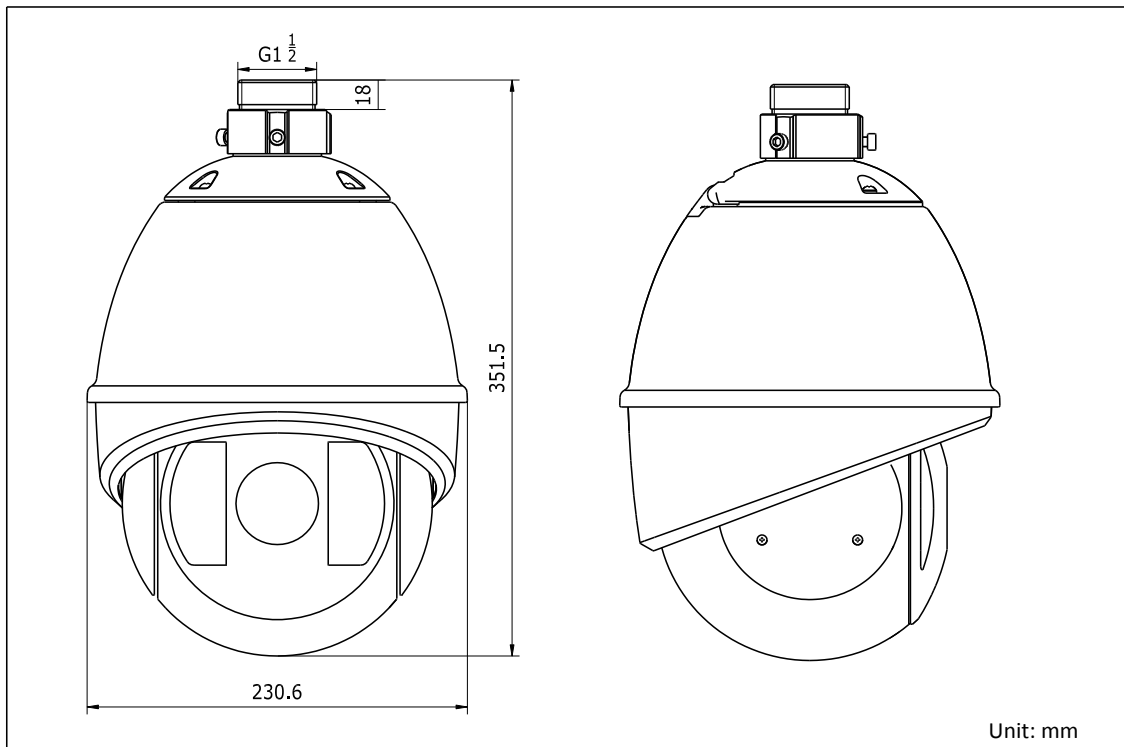
Specifications

Model		DS-2AF1-764(Outdoor)
Parameter		IR High TVL High Speed Dome
Camera	Image Sensor	1/3" Sony Interline Transfer Exview HAD-II CCD
	Effective Pixel	PAL:976(H)×582(V) NTSC:976(H)×494(V)
	Horizontal Resolution	Color: 650 TVL B/W: 700 TVL
	Signal System	PAL /NTSC
	Min. Illumination	Color: 0.1Lux/ (F1.6, AGC ON),0.0008Lux/ (F1.6, AGC ON,IRE×256) B/W: 0.01Lux/ (F1.6, AGC ON),0.0008Lux/ (F1.6, AGC ON,IRE×256) 0 Lux with IR
	White Balance	Auto / One touch WB / ATW / Indoor / Outdoor
	AGC	Auto / Manual
	S / N Ratio	≥ 50dB
	DNR	High/Medium/Low/off
	BLC	On / Off
	DWDR	128x(On/Off/Auto)
	Anti-shake	On/Off
	Shutter Time	PAL: 1/3-1/10,000s NTSC: 1/4-1/10,000s
	Day & Night	IR Cut Filter
	Digital Zoom	16x
	Privacy Mask	8 privacy masks programmable; a maximum of 8 zones can be masked simultaneously on the same video screen
Focus Mode	Auto / Semiautomatic / Manual	
Lens	Focal Length	4.0-92mm, 23X
	Zoom Speed	Approx.4.0s(Optical Wide-Tele)
	Angle of View	57.58-3.12degree(Wide-Tele)

	Min. Working Distance	10-1500mm (Wide-Tele)
	Aperture Range	F1.6 - F3.7
Pan and Tilt	Pan Range	360° endless
	Pan Speed	Pan Manual Speed: 0.1°-160°/s, Pan Preset Speed: 240°/s
	Tilt Range	-10°-90° (Auto Flip)
	Tilt Speed	Tilt Manual Speed: 0.1°-120°/s, Tilt Preset Speed: 200°/s
	Proportional Zoom	Rotation speed can be adjusted automatically according to zoom multiples
	Number of Preset	256
	Patrol	8 patrols, up to 32 presets per patrol
	Pattern	4 patterns, with the total recording time not less than 10 minutes
	Power-off Memory	Support
	Park Action	Preset / Patrol / Pattern / Pan scan / Tilt scan / Random scan / Frame scan / Panorama scan
	PTZ Position Display	On / Off
	Preset Freezing	Support
	Password Protection	Support
	Zone Scanning/Display	Scanning within programmed zone, display zone title
	Camera Title	Programmable title display
	Compass	Support , the north can be set
	Scheduled Task	Preset / Patrol / Pattern / Pan scan / Tilt scan / Random scan / Frame scan / Panorama scan
	RS-485 communication diagnosis	Support
Manchester code and connection failures diagnosis	Support	
Infrared	IR Distance	80m
	IR Intensity	Automatically adjusted, depending on the zoom ratio
Alarm	Alarm Input	2 (7 alarm inputs optional)
	Alarm Output	2 relay outputs, alarm response actions configurable
	Alarm Action	Preset / Patrol / Pattern / Pan scan / Tilt scan / Random scan / Frame scan / Panorama scan / Relay output
Input/ Output	Monitor Output	1.0V[p-p] / 75Ω, NTSC (or PAL) composite, BNC
General	Menu Language	English, Chinese
	RS-485 Protocols	HIKVISION, Pelco-P, Pelco-D, self-adaptive
	Power Supply	24VAC/3A (12VDC/5A optional)
	Power Consumption	Max. 50W(IR LED On) ,Max. 35W(IR LED Off)
	Working Temperature / Humidity	-30 °C-65 °C (-22 °F -149 °F)(outdoor dome) 90% or less
	Protection Level	IP66 standard (outdoor dome) TVS 4,000V lightning protection, surge protection and voltage transient protection

Mounting	Various mounting modes optional
Dimensions	Φ230.6 × 351.5mm (Φ9.08" × 13.84") (Outdoor)
Weight (approx.)	5Kg (11.02lbs)
Mount Option	Long-arm wall mount: DS-1614ZJ; Indoor short-arm wall mount: DS-1615ZJ Corner mount: DS-1633ZJ; Pole Mount: DS-1622ZJ; Power box mount: DS-1634ZJ

Dimensions



Accessories



DS-1614ZJ Long-arm Wall Mount Bracket