



Speed Dome
Technical Manual

Notices

The information in this documentation is subject to change without notice and does not represent any commitment on behalf of HIKVISION. HIKVISION disclaims any liability whatsoever for incorrect data that may appear in this documentation. The product(s) described in this documentation are furnished subject to a license and may only be used in accordance with the terms and conditions of such license.

Copyright © 2006-2012 by HIKVISION. All rights reserved.

This documentation is issued in strict confidence and is to be used only for the purposes for which it is supplied. It may not be reproduced in whole or in part, in any form, or by any means or be used for any other purpose without prior written consent of HIKVISION and then only on the condition that this notice is included in any such reproduction. No information as to the contents or subject matter of this documentation, or any part thereof, or arising directly or indirectly therefrom, shall be given orally or in writing or shall be communicated in any manner whatsoever to any third party being an individual, firm, or company or any employee thereof without the prior written consent of HIKVISION. Use of this product is subject to acceptance of the HIKVISION agreement required to use this product. HIKVISION reserves the right to make changes to its products as circumstances may warrant, without notice.

This documentation is provided “as-is,” without warranty of any kind.

Please send any comments regarding the documentation to:

overseabusiness@hikvision.com

Find out more about HIKVISION at www.hikvision.com

DS-2AF1-5XY-B Series



Key feature

System function:

- 1/4" SONY high performance CCD
- $\pm 0.1^\circ$ Preset Accuracy
- Self-adaptive to HIKVISION, Pelco-P/D protocol
- 3D intelligent positioning function
- Power-off memory function: restore PTZ & Lens status after reboot
- Fiber optical interface optional
- Built-in temperature sensor, with display of internal temperature
- RS-485 communication diagnosis capability
- Manchester code communication diagnosis capability
- Scheduled PTZ movement
- Password protection
- Camera title programmable
- Zone Scanning

Camera function:

- Auto iris, auto focus, auto white balance, backlight compensation, WDR and auto/manual day & night switch

PTZ function:

- 360° endless pan range and -5° - 185° tilt range
- 540°/s Pan Preset Speed and 400°/s Tilt Preset Speed
- 0.1°-300°/s Manual Pan Speed and 0.1°-240°/s Manual Tilt Speed
- 256 presets programmable; preset image freezing capability
- 8 patrols, up to 32 presets per patrol
- 4 patterns, with the recording time not less than 10 min
- Proportional zoom function
- Park action: auto callup of PTZ movement, after a defined time of inactivity
- 2 alarm inputs and 2 alarm outputs (7 alarm inputs and 2 alarm outputs optional)

Application Scenarios

It can be widely applied to places requiring wide-area monitoring display, such as rivers, forests, highways, railways, airports, ports, sentries, squares, parks, scenic sites, streets, stations, large venues, outside of residential areas, etc

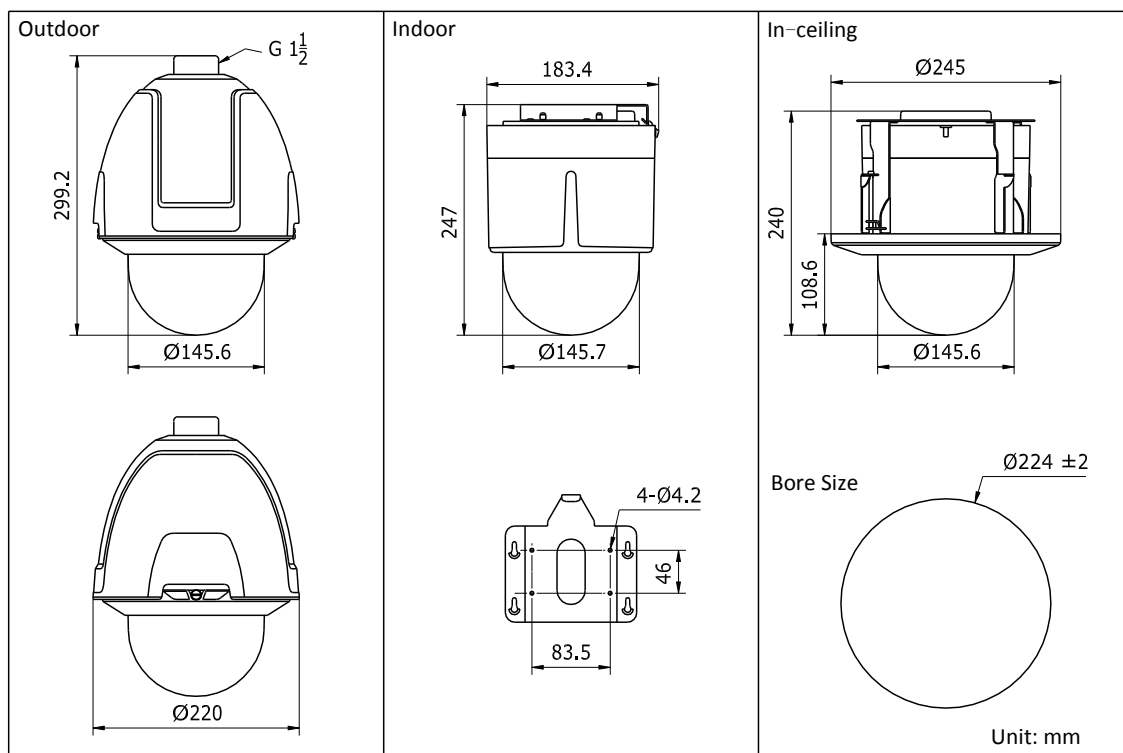
Specifications

Parameter		Model	DS-2AF1-516-B(Outdoor) DS-2AF1-506-B(Indoor) DS-2AF1-536-B(In-ceiling)	DS-2AF1-518-B(Outdoor) DS-2AF1-508-B(Indoor) DS-2AF1-538-B(In-ceiling)
		5 Inch High Speed Dome		
Camera	Image Sensor	1/4" SONY vertical double density interline CCD		
	Effective Pixel	PAL:752(H)×582(V) NTSC:768(H)×494(V)		
	Horizontal Resolution	Color: 540 TVL B/W: 570 TVL		
	Signal System	PAL /NTSC		
	Min.Illumination	Color: 0.2Lux/F1.4 B/W: 0.02Lux/F1.4	Color: 0.2Lux/F1.6 B/W: 0.02Lux/F1.6	
	White Balance	Auto / Manual / ATW / Indoor / Outdoor		
	AGC	Auto / Manual		
	S / N Ratio	≥ 50dB		
	BLC	On / Off		
	WDR	128x(On / Off)		
	Shutter Time	PAL:1-1/10,000s NTSC:1-1/10,000s		
	Day & Night	IR Cut Filter		
	Digital Zoom	16x		
Focus Model	Auto / Semiautomatic / Manual			
Lens	Focal Length	3.5-105mm, 30X	3.4-122.4mm,36X	
	Zoom Speed	Approx.5.4s(Optical Wide-Tele)		
	Angle of View	56.4-2.0degree(Wide-Tele)	57.8-1.7degree (Wide-Tele)	
	Min. Working Distance	10-1,000mm(Wide-Tele)		
	Aperture Range	F1.4-F3.7	F1.6-F4.5	
Pan and	Pan Range	360°endless		

Tilt	Pan Speed	Pan Manual Speed: 0.1° -300°/s, Pan Preset Speed: 540°/s
	Tilt Range	-5°-185°(Auto Mirror)
	Tilt Speed	Tilt Manual Speed: 0.1°-240°/s, Tilt Preset Speed: 400°/s
	Proportional Zoom	Rotation speed can be adjusted automatically according to zoom multiples
	Number of Preset	256
	Patrol	8 patrols, up to 32 presets per patrol
	Pattern	4 patterns, with the total recording time not less than 10 min
	Power-off Memory	Support
	Park Action	Preset / Patrol / Pattern / Pan scan / Tilt scan / Random scan / Frame scan / Panorama scan
	PTZ Position Display	On / Off
	Freeze Frame	Support
	Password Protection	Support
	Zone Scanning/Display	Scanning within programmed zone, display zone title
	Camera Title	Programmable title display
	Compass	Support , the north can be set
	Scheduled Task	Preset / Patrol / Pattern / Pan scan / Tilt scan / Random scan / Frame scan / Panorama scan
	RS-485 communication diagnosis	Including failure information, e.g., wrong address, baud rate errors, et., displayed on the video screen in text
Manchester code communication diagnosis	Including failure information, e.g., wrong address, baud rate errors s displayed on the video screen in special characters	
Alarm	Alarm Input	2 (7 alarm inputs optional)
	Alarm Output	2 relay outputs, alarm response actions configurable
	Alarm Action	Preset / Patrol / Pattern / Pan scan / Tilt scan / Random scan / Frame scan / Panorama scan / Relay output
Input/ Output	Monitor Output	1.0V[p-p] / 75Ω, NTSC (or PAL) composite, BNC
Fiber Interface (available for fiber	Data Mode	1-channel analog video and 1-channel reverse RS-485 data
	Physical Interface	FC(SC optional)
	Fiber	TX1310/RX1550nm

dome only)	Wavelength	
	Fiber Type	Single Fiber/Singlemode
	Transmission Distance	20Km, 40Km / 60Km/ 80Km optional
General	Menu Language	English, Chinese
	RS-485 Protocols	HIKVISION, Pelco-P, Pelco-D, self-adaptive
	Power Supply	24VAC (12V DC optional)
	Power Consumption	15W max(45W max with heater, outdoor dome)
	Working Temperature / Humidity	-30 °C-65°C(-22°F -149°F)(outdoor dome) / -10°C-50°C(14°F -122°F)(indoor dome) 90% or less
	Protection Level	IP66 standard (outdoor dome) TVS 3,000V lightning protection, surge protection and voltage transient protection
	Mounting	Various mounting modes optional
	Dimension	Φ220×299.2mm (Φ8.66"×11.78")(Outdoor) Φ183.4×247mm(Φ7.22"×9.72") (Indoor) Φ245×240mm(Φ9.65"×9.45") (In-ceiling)
	Weight (approx.)	5Kg (11.02lbs)
	Mount Option	Long-arm wall mount: DS-1614ZJ; Indoor short-arm wall mount: DS-1615ZJ Corner mount: DS-1633ZJ; Pole Mount: DS-1622ZJ; Power box mount:DS-1634ZJ

Dimension



Accessories

DS-1614ZJ Long-arm Wall Mount Bracket