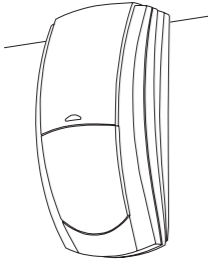


Prestige IR

Professional High Immunity PIR

INSTALLATION INSTRUCTIONS



Texecom
www.texecom.com

INS 252-4

Ask your distributor today for the Texecom full colour Product Guide.

QUALITY ASSURANCE



Certificate Number: FM 35285



Made In England



WARRANTY

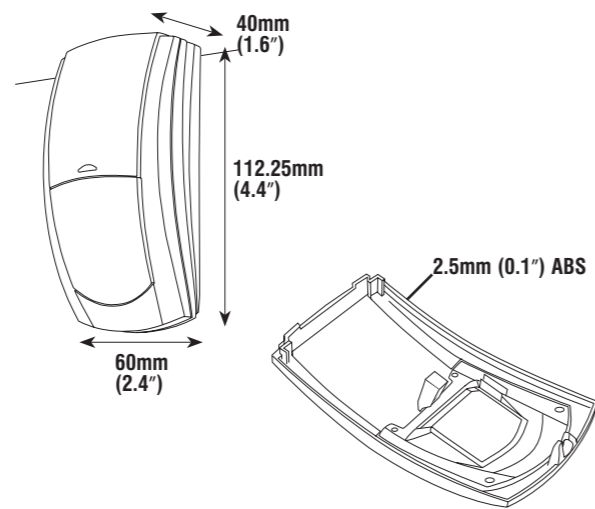
10 year replacement warranty.

The Prestige IR is designed to detect the movement of an intruder and activate an alarm control panel. As the Prestige IR is not a complete alarm system, but only a part thereof, Texecom cannot accept responsibility or liability for any damages whatsoever based on a claim that the Prestige IR failed to function correctly.

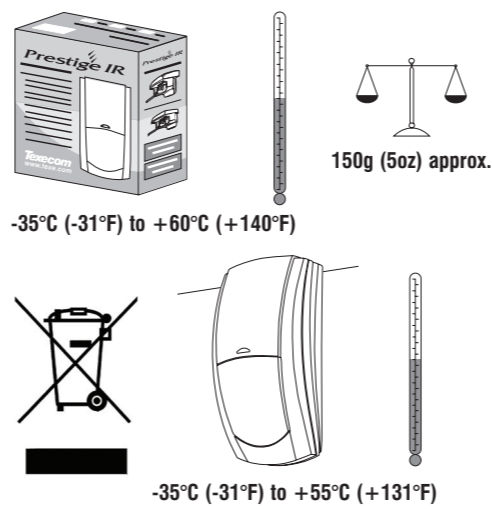
Due to our policy of continuous improvement Texecom reserves the right to change specification without prior notice. All specifications are measured at 20°C (68°F).

© 2003-2006 Texecom Ltd. Document Ref: PIR/EU/1.0-4
The Prestige IR is protected by UK & International Registered Designs. Registered Design No's: 3004997, 3004260, 3004261 & 3008616. Prestige, CloakWise and PetWise are Trademarks of Texecom Ltd.

1 PHYSICAL



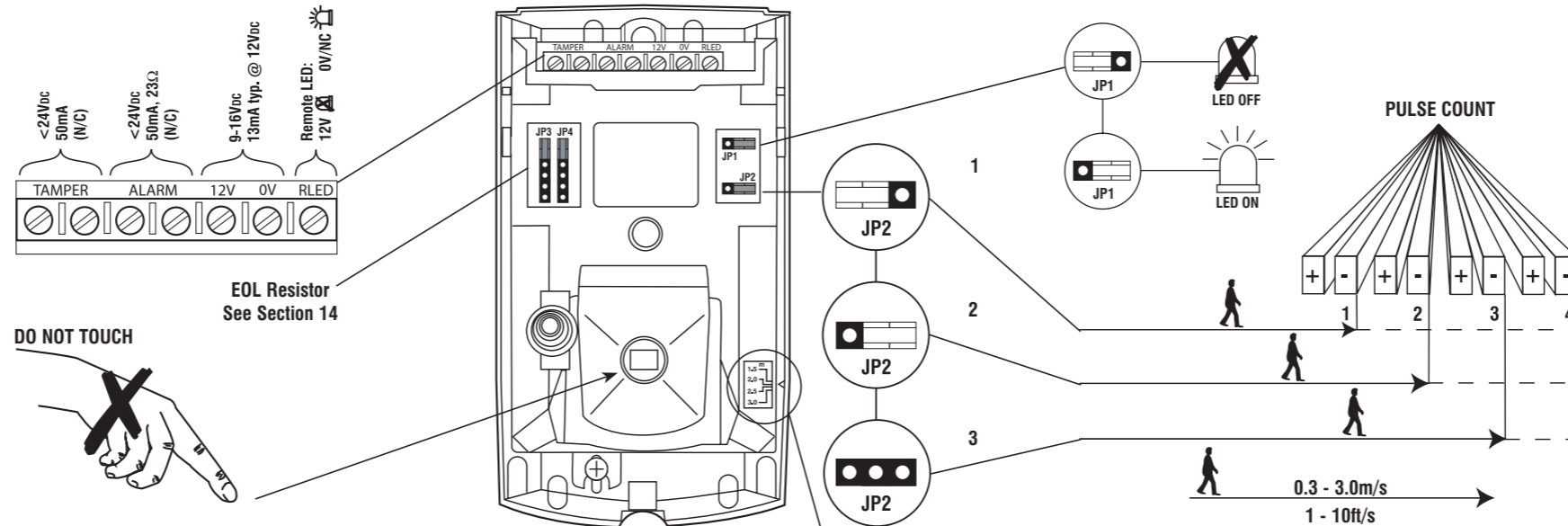
2 ENVIRONMENTAL



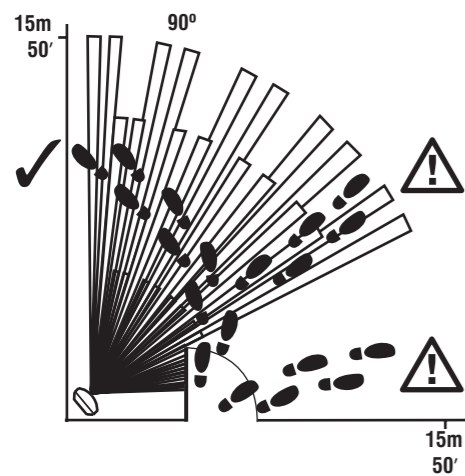
3 STANDARDS & APPROVALS

Detector Standard:	Independently Certified to TS 50131-2-2 Grade 2 Environmental Class II.
System Standard:	Suitable for use in a PD 6662/BS EN 50131-1 Grade 2 system. Environmental Class II.
EMC:	Independently Certified to EN 50130-4 : 1996
RF Immunity:	No false alarms from 80MHz to 1GHz at 10V/m. Complies with BS EN 61000-4-3 : 2002.
Electrostatic Discharge:	No false alarms up to 8kV. Complies with BS EN 61000-4-2 : 1995.
Fast Transient Immunity:	No false alarms up to ±4kV. Complies with BS EN 61000-4-4 : 1995.
High Energy Transient Immunity:	No false alarms up to ±2kV. Complies with BS EN 61000-4-5 : 1995.
Conducted RF Susceptibility:	No false alarms at 10Vrms. Complies with BS EN 61000-4-6 : 1996.
Conducted & Radiated Emissions:	Complies with EN 55022 Class B.
Product Identifier:	IR

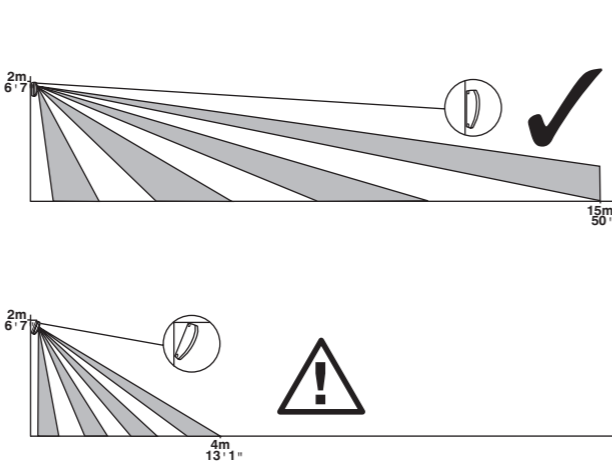
4



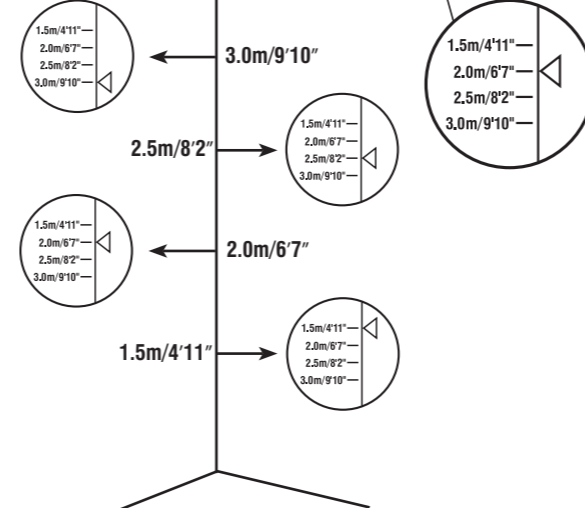
5 COVERAGE AND PICK-UP



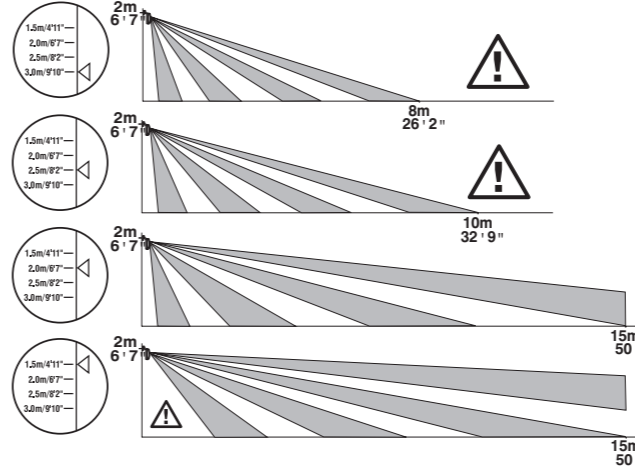
6 ANGLING THE DETECTOR



7 MOUNTING HEIGHT AND SETTINGS

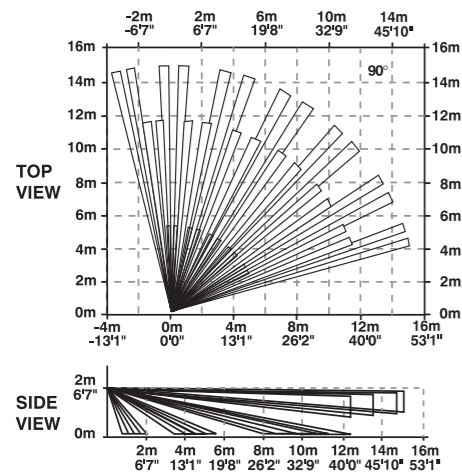


8 ALTERING COVERAGE AT 2m MOUNTING HEIGHT



9 COVERAGE PATTERN

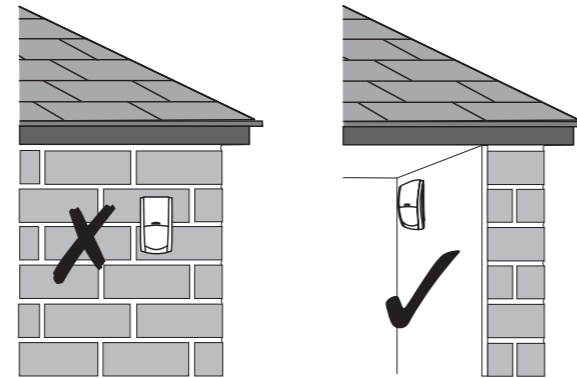
Volumetric



See Mounting Height Diagram (Section 7)

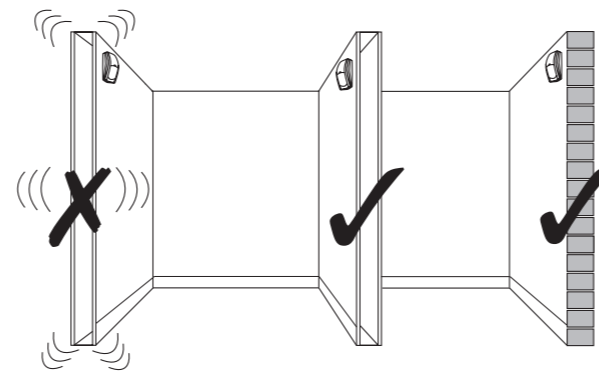
10 MOUNTING THE PRESTIGE IR

For indoor use only



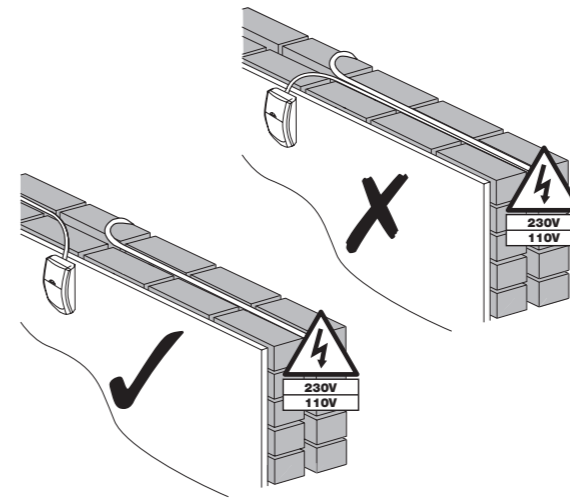
11 MOUNTING THE PRESTIGE IR

Mount on a stable surface



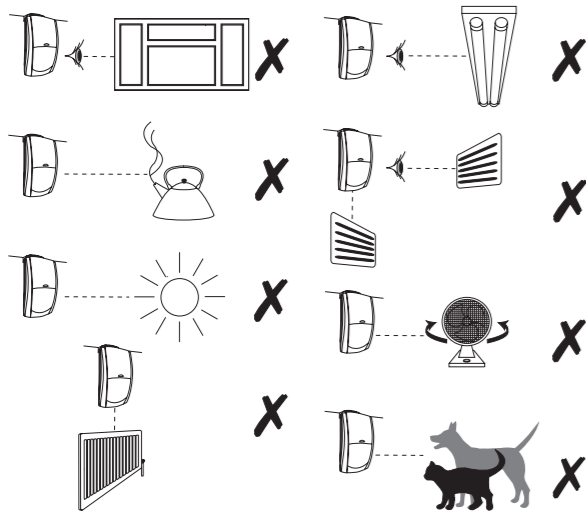
12 WIRING

Do not run cable parallel to mains wiring



13 CHOOSING A LOCATION

Avoid common false alarm sources



14 EOL RESISTOR JUMPER LINKS

The jumper links JP3 and JP4 (see Section 4) are used to select resistances for End-of-Line (EOL) wiring applications.

JP3 Selects the End-of-Line resistance. Equivalent to wiring a resistor of the selected value as shown.

JP4 Selects the resistance across the alarm relay. Equivalent to wiring a resistor of the selected value as shown.

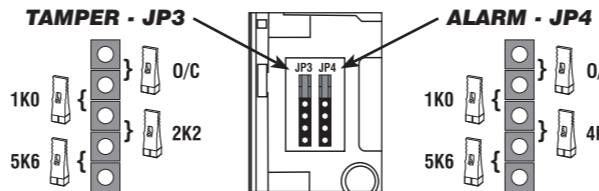


If EOL wiring is not used, the headers should be left in the default (O/C) position. If the required resistance values are not available, leave the headers in the O/C position and wire in external resistors as normal.

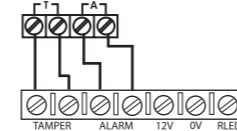
EOL Settings for Texecom Panels
Premier & Premier International

JP3 2K2
JP4 4k7

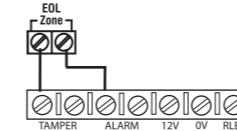
EXAMPLES OF EOL JUMPER LINK USE



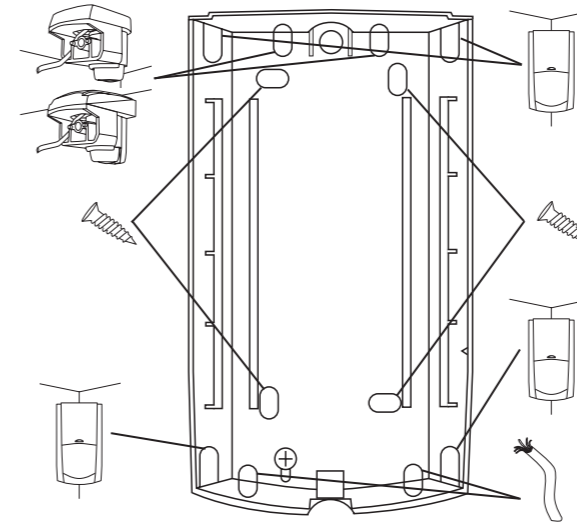
Double Pole (jumper links not used)



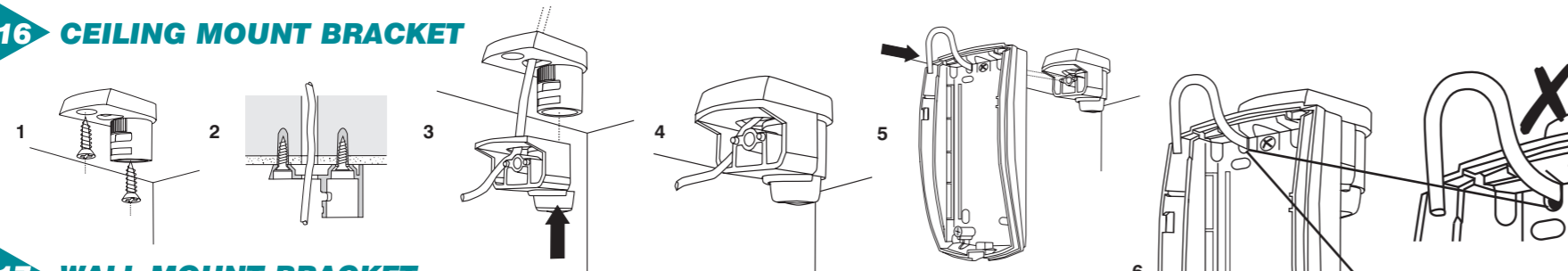
Dual End-of-Line (DEOL)



15 DETECTOR KNOCKOUTS



16 CEILING MOUNT BRACKET



17 WALL MOUNT BRACKET

