



DMA05, DMA05R, BA95S

Addressable manual call point, CE certified.

- **DMA05:** addressable manual call point Resettable with integrated isolator.
- **DMA05R:** addressable manual call point Resettable with integrated isolator and programmable relay.
- **CE certified according to CPD**

DMA05 manual call points are devices of transmission of an **alarm** status towards an **addressable indicating panel**. This action is carried out by the operator through mechanical pressure on the window located in the front. Return to the normal status can be done only after **local resetting using a special key**.

Moreover the addressable version of manual call point integrates on every device a switch providing the function of **line isolator**. This function is assured only in association with the **HEPHAIS range** panels which are equipped with boards managing the loop/line. The function "**Isolator of line**" makes possible the isolation of **sections in short-circuit** (Short-circuit between 2 conductors of the connecting cable), located between 2 devices equipped with switch.

Usually, connection is carried out with **shielded cable from 0,6mm² to 1,5mm²**. Shield must be **protected** by an insulator tape in order to avoid any short-circuit.

Call point also exists in **waterproof IP65** version **BA95S**



Main characteristics

- **CE certified according to CPD**
- Conform with the standards EN54-11, EN54-17, EN54-18
- Key for reset
- Separate key for test
- No break glass
- BA9S Waterproof IP65 version

Power supply specification

Main supply voltage	12V to 28Vdc
Nominal main supply voltage	24Vdc
Quiescent current	0.15 mA
Alarm current	5 mA @ 24Vdc

Mechanical characteristics

Unit weight	170g
Unit dimensions (in mm)	98 x 98 x 49
Unit row material	ABS
Unit colour	Red
Protection class	IP33

Climatic characteristics

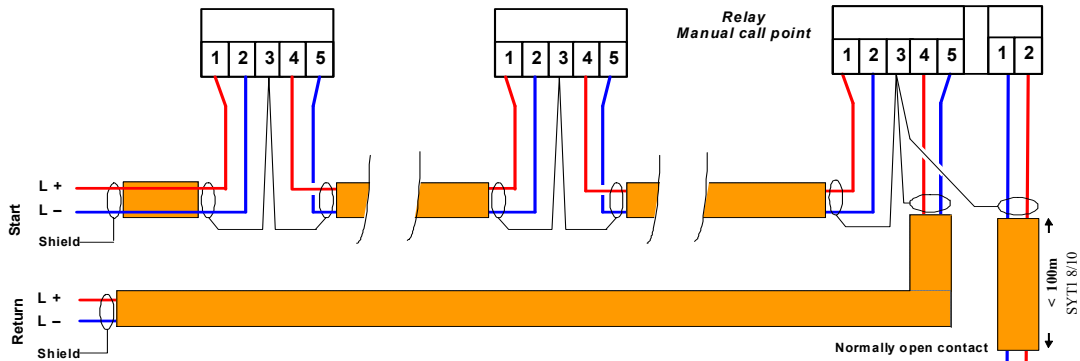
Operating temperature	-10°C to +60°C
Storage temperature	+10°C to +50°C
Operating relative humidity	≤ 93%
Storage relative humidity	≤ 85%



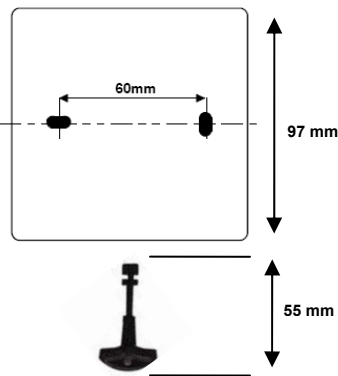
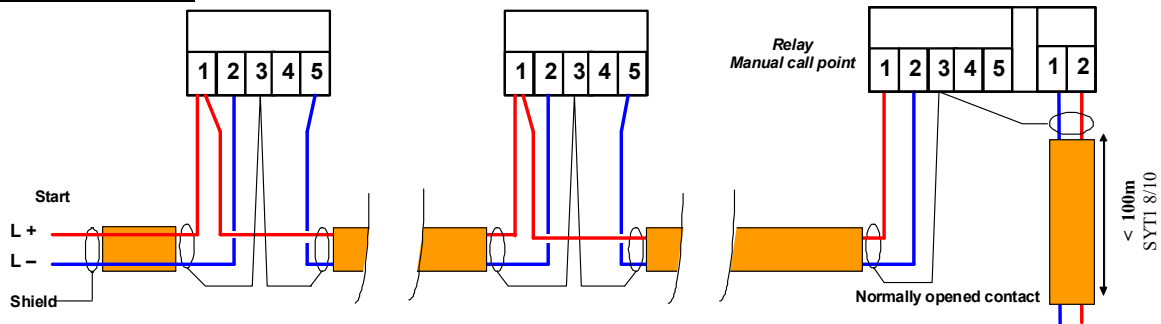
DMA05, DMA05R, BA95S

Addressable manual call point, CE certified.

Loop connection



Line connection



Fixation holes and size.

Accessories.



Test key



Reset key



Plastic base for flush mounting



BA95S
Waterproof IP65 addressable manual call point

Main supply voltage	15 Vdc to 24 Vdc Nominal : 20 Vdc
Standby consumption	< 110 µA under 20Vdc
Alarm consumption	8 mA ± 2mA under 20 V
Unit weight	400g
Unit dimensions (L x W xD)	110 x 127 x 72

REFERENCE

REFERENCE	DESCRIPTION
DMA05	Addressable manual call point- resettable with integrated isolator, CE certified according to CPD
DMA05R	Addressable manual call point- resettable with integrated isolator and programmable relay output. CE certified
BA95S	Waterproof IP65 addressable manual call point

ACCESSORIES

PEDM	Plastic base for flush mounting MCP, double action
VPDM	Transparent lift-up protective cover for MCP, double action
KCTDM	Kit of 10 reset keys for MCP

